

# BATHROOM SHELVES

PRODUCT CATALOG





600-1



600-3



EL60



P4

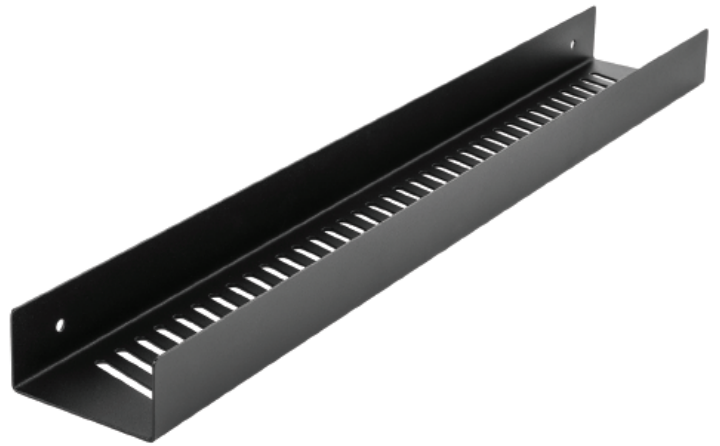
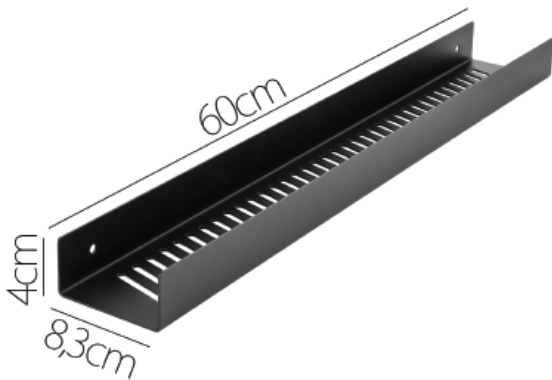


600-2

# P2 SHELF

## specifications:

- material: powder coated steel
- weight: 1,2 kg
- wall thickness: 2 mm
- mounting hole: 2x Ø4 mm
- perforation that allows water drainage
- dowels and caps included



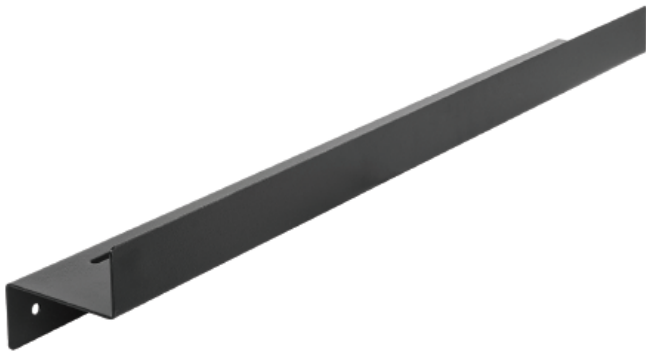
# P3 SHELF

## specifications:

- material: powder coated steel
- weight: 1 kg
- wall thickness: 2 mm
- mounting hole: 2x Ø4 mm
- towel hole: 35 cm x 6 cm
- perforation that allows water drainage
- side walls that keeps items from falling out
- dowels and caps included



# P4 SHELF



## specifications:

- material: powder coated steel
- weight: 1,2 kg
- wall thickness: 2 mm
- mounting hole: 2x Ø4 mm
- perforation that allows water drainage
- dowels and caps included



white  
(12001)



black  
(12002)



gray  
(12003)



# P5 SHELF



## specifications:

- material: powder coated steel
- weight: 1,2 kg
- wall thickness: 2 mm
- mounting hole: 2x Ø4 mm
- perforation that allows water drainage
- side walls that keeps items from falling out
- dowels and caps included



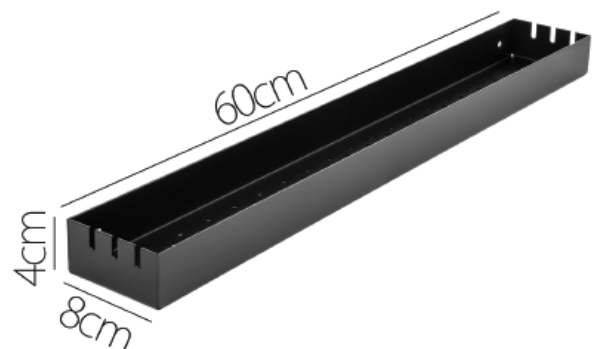
white  
(12004)



black  
(12005)



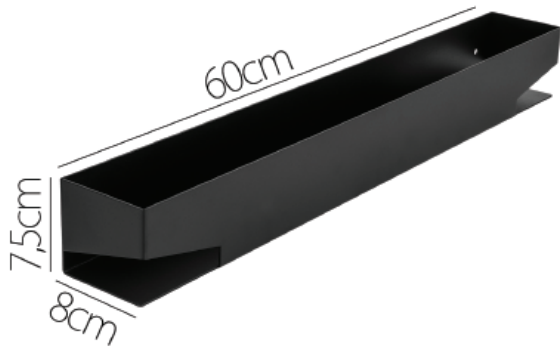
gray  
(12006)



# P6 SHELF

## specifications:

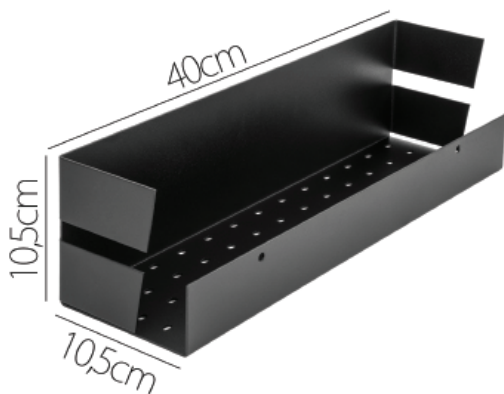
- material: powder coated steel
- weight: 1,4 kg
- wall thickness: 2 mm
- mounting hole: 2x Ø4 mm
- perforation that allows water drainage
- side walls that keeps items from falling out
- dowels and caps included



# EL-40 SHELF

## specifications:

- material: powder coated steel
- weight: 1 kg
- wall thickness: 2 mm
- mounting hole: 2x Ø4 mm
- perforation that allows water drainage
- side walls that keeps items from falling out
- dowels and caps included

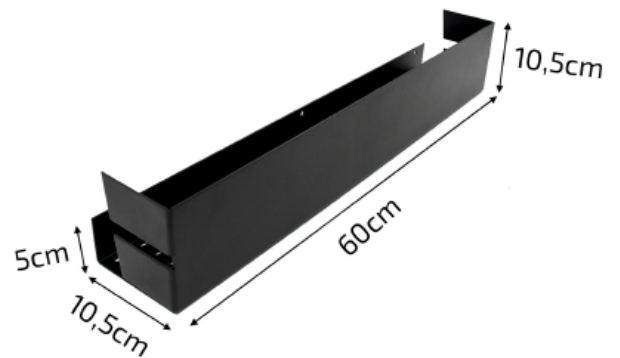


# EL-60 SHELF



## specifications:

- material: powder coated steel
- weight: 2,8 kg
- wall thickness: 2 mm
- mounting hole: 3x Ø4 mm
- perforation that allows water drainage
- side walls that keeps items from falling out
- dowels and caps included



white  
(10621)



black  
(10603)



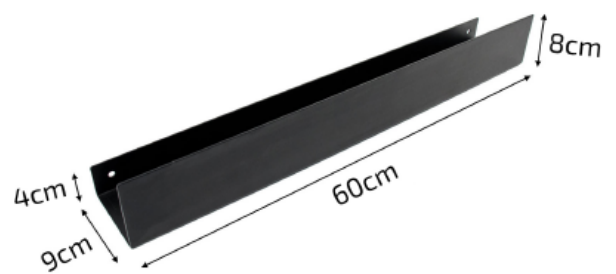
gray  
(11994)

# 600-1 SHELF



## specifications:

- material: powder coated steel
- weight: 2 kg
- wall thickness: 2 mm
- mounting hole: 2x Ø4 mm
- perforation that allows water drainage
- dowels and caps included



white  
(10618)



black  
(10600)

# 600-2 SHELF

## specifications:

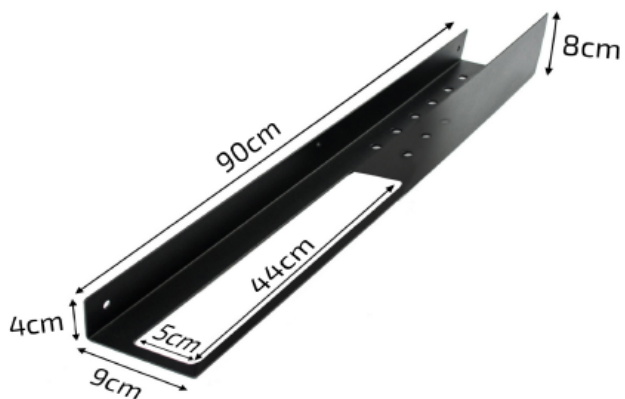
- material: powder coated steel
- weight: 1,8 kg
- wall thickness: 2 mm
- mounting hole: 2x Ø4 mm
- towel hole: 29 cm x 5 cm
- perforation that allows water drainage
- dowels and caps included



# 900-4 SHELF

## specifications:

- material: powder coated steel
- weight: 2,7 kg
- wall thickness: 2 mm
- mounting hole: 3x Ø4 mm
- towel hole: 44 cm x 5 cm
- perforation that allows water drainage
- dowels and caps included



# 600-3 SHELF



## specifications:

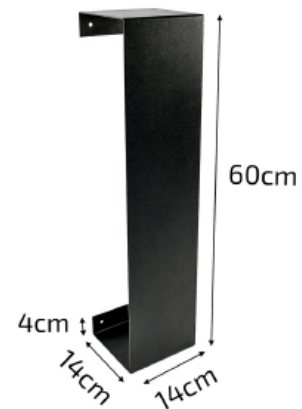
- material: powder coated steel
- weight: 2,4 kg
- wall thickness: 2 mm
- mounting hole: 4x Ø4 mm
- vertically or horizontally mounting
- dowels and caps included



white  
(10620)



black  
(10602)



# CORNER SHELF

## specifications:

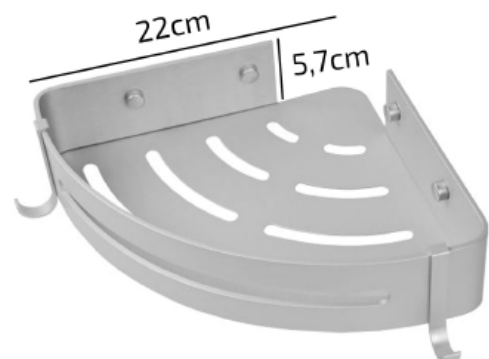
- material: powder coated steel
- weight: 0,6 kg
- thickness: base 1 mm, wall 4 mm
- 2 practical hangers
- perforation that allows water drainage
- mounting elements included



silver  
(10746)



black  
(10745)



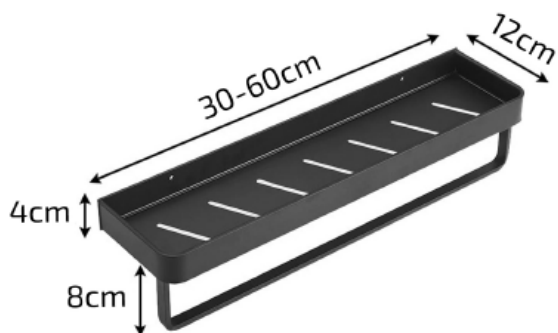


# M1 SHELF

## - 2pcs

### specifications:

- material: powder coated steel
- 4 lengths to choose from (30cm, 40cm, 50cm, 60cm)
- weight:
  - 30 cm - 0,7 kg
  - 40 cm - 0,9 kg
  - 50 cm - 1,1 kg
  - 60 cm - 1,3 kg
- wall thickness: 1 mm
- colour: black
- perforation that allows water drainage
- included: long hanger, hooks, dowels and caps
  - 30 cm - 4 hooks
  - 40 cm - 6 hooks
  - 50 cm - 8 hooks
  - 60 cm - 10 hooks



30CM	40CM	50CM	60CM
(8722)	(8723)	(8724)	(8725)



**zolta**<sup>®</sup>  
TRADE

[zoltatrade.pl](http://zoltatrade.pl)